

## Wireless Anemometer

### Features

- Wind speed measurement range: 0 to 150 mph (0 to 241.4 km/h)
- Wind accuracy: +/- 3 mph (+/- 4.8 km/h)
- Radio range with line of sight: 4600 ft. (1400 m)
- Operates with one 'D' cell battery lithium 3.6V or alkaline 1.5V.
- Up to 4 years battery life for typical applications.
- Average of 20 month battery life for 24/24 hours use.
- Temperature range: -40°F to 140°F (-40°C to 60°C)
- Waterproof casing.
- Easy battery replacement, sealed with standard O-Ring
- Compatible with standard LSI systems.
- Two way communication with automatic radio power adjustment.

### Applications

The GS026 anemometer can be used in a diverse range of applications to monitor wind speed and wind gust. Designed to be used on moving cranes it can also be used in a static condition.

### General Description

The GS026 is a magnetically encoded anemometer. The wind speed values are computed from pulses of magnets inserted in the rotor. This means that this anemometer has no adjustment and thus never needs to be calibrated.



Figure 1, Wireless Anemometer p/n GS026

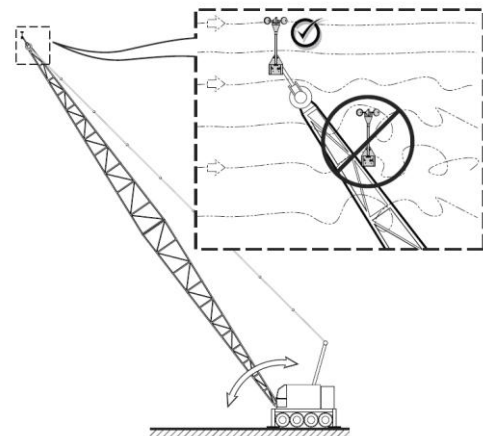


Figure 2, Anemometer installation on crane boom

## Table of Contents

Features .....	1
Applications .....	1
General Description .....	1
Table of Contents .....	2
Ordering Information .....	2
Specifications .....	3
Absolute Maximum Ratings .....	3
Certifications .....	3
Dimensions and Installation .....	4
Materials: .....	4

## Ordering Information

Model	Description
GS026-01	Radio Anemometer – FCC ( 902-928 MHz )
GS026-02	Radio Anemometer – CE (868-870 MHz )
PD058-A	Wind Cups Set Replacement
PA122	Wind Speed Sensor Pivoting support Replacement

GS026

## Specifications

Parameter	Test Condition	Min	Typ	Max	Unit
<b>Wind</b>					
Resolution			1		mph
Accuracy			+/- 3		mph
<b>Radio Power</b>					
	GS026-01	0.001	0.001	0.020	W
		0	0	13	dBm
	GS026-02	0.001	0.001	0.020	W
		0	0	13	dBm
<b>Radio Frequency</b>					
	GS026-01	902	916	928	MHz
	GS026-02	868	868	870	MHz
<b>Communication Range</b>					
	Clear line of sight		1400		m
			4600		feet
<b>Battery life</b>					
40 hour/week	'D' cell lithium		48	54	Month
	'D' cell alkaline		12	16	Month
24/24 hours	'D' cell lithium		20	22	Month
	'D' cell alkaline		6	6	Month
<b>Other</b>					
Weight	GS026		0.7		lb
			(310)		(g)

## Absolute Maximum Ratings

Parameter	Test Condition	Min	Typ	Max	Unit
Temperature range	Operating	-40		60	°C
		-40		+140	°F

## Certifications

Safety  
IEC 61010-1

Radio  
FCC : parts 15.247, 15.205, 15.207

Industry Canada : RSS-210

CE : EN 300 220-3, EN 301 489-3

**Dimensions and Installation**

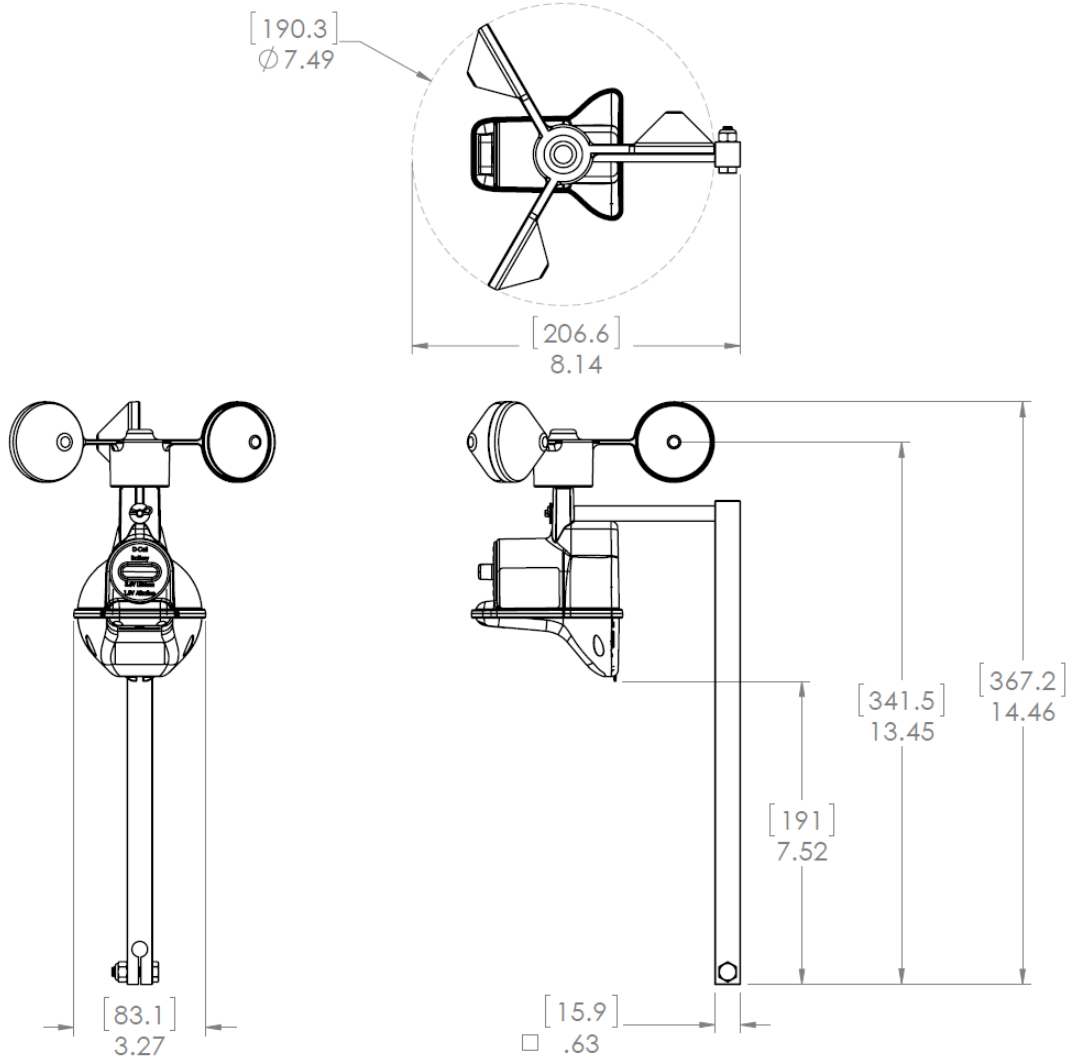


Figure 3: general dimensions (not to scale), in inches [mm]

For optimal performance, the anemometer should be installed in a place where the wind can flow freely with no obstruction or perturbation. See *Figure 2*. The utilization of the GS026 Anemometer is not limited to crane industry. It can also be used on any static structures.

The mounting bracket is designed to be welded on the structure or be mounted on a 3/8" (9.64mm) diameter shaft. The mounting bracket can thus be installed on a previous generation wind sensor support.

**Materials:**

The Anemometer (sensor box and wind cup) is entirely made of UV stabilized nylon. The mounting bracket is made of zinc plated steel.